



Congratulations and Welcome!

Whether this is your first time changing tires, or you're a seasoned mechanic, take the first step to mastering the No-Mar technique now and visit our Video Library to view our latest instructional videos:



NoMarTireChanger.com

Our Video Library is the single most important resource available for:

- Tire Changer Assembly
- Tire Changing Technique ("How To...")
- Avoiding Common Mistakes ("How NOT To...")
- Keeping Wheels Scratch-Free
- Saving Money by Maximizing Consumable Life





Cycle Hill® HD Motorcycle Tire Changer Assembly Introduction

Assembly Preparation

We recommend unpacking and assembling your tire changer in the following order:

1. Box **A** - Mount/Demount Bar (YOU WILL NEED TO SUPPLY 5/32" Hex "Allen" Wrench)
2. Box **E** - Stand Assembly
3. Box **F** - Frame Assembly

Each of the sub-assembly boxes noted above has its own set of instructions included.

Assembly Notes and Tips:

1. All set screws (sometimes called "grub" screws) and select other screws have been pre-installed in their specified locations at the factory to aid in identification and assembly.
2. Some screws may be more difficult than others to turn in due to excess powder coating residue in the threads. In these cases, a drop of oil or other lubricant (such as WD-40®) can aid in installation, as well as partially tightening and then loosening gradually until the screw is completely fastened.
3. "We **strongly** recommend using only Hex ("Allen") Wrenches, which you need to provide, to install and tighten hex-drive screws. For other bolts, please use hand tools such as a ratchet or combination wrench. Avoid using power tools (even battery-powered), as they can cause threads to strip or hex sockets to round out."

Tools Required for Assembly:

- 5/32" Hex (Allen) Wrench
- 3/16" Hex (Allen) Wrench
- 3/4" (or 19mm) Wrench - Socket w/Ratchet, Combination or similar
- 7/16" (or 11mm) Wrench - Socket w/Ratchet, Combination or similar
- 1/2" (or 13mm) Wrench - Socket w/Ratchet, Combination or similar

For mounting your Tire Changer to the floor, we recommend using 1/2" x 3+1/2" (or 12mm x 100mm) Concrete Wedge anchors (Power-Stud+® SD1 or similar) drilled to a minimum depth of 2+3/4" (or 70mm) and installed per manufacturer directions with nuts and washers.

Help & Support

If you have any difficulty assembling your tire changer or changing tires, the instructional videos on our website are extremely thorough and helpful (and are also the primary method of learning how to change your own motorcycle tires). We also have an extensive Frequently Asked Questions (FAQ) page on our website for common tire changing issues.

If you require further assistance or technical support, please call us at 888-98-NOMAR (888-986-6627) and we will be happy to assist you!



Stand Box 'E' Assembly Instructions

Hardware Pack Contents:

- a. (18) 1" Flat Cap Screw
- b. (16) Serrated Flange Nut
- c. (2) 3/4" Shoulder Bolt
- d. (2) Nylock Nut



Figure 1

Step 1:

Remove all items from the box. Using the provided 3/16" Hex Wrench attach the non-marring Bead Breaker Block to the Stand Base tab using (2) 1" Flat Cap Screws (*do not over-tighten!*).

Step 2:

Using the provided 3/16" Hex Wrench and a 1/2" (13mm) wrench, attach the Stand Base to the Stand Post using (8) 1" Flat Cap Screws and (8) Serrated Flange Nuts. Orient the parts so that the vertical tab on the Stand Post is facing the same direction as the Bead Breaker Block and at the opposite end of the Stand Post from the Stand Base, and so that the nuts will be on the top of the Stand Post flange (See Figure 1).

The screws attaching the Stand Base to the Stand Post will not sit completely flush with the bottom of the Stand Base and this is by design.

Step 3:

Using a 3/16" Hex Wrench and a 1/2" (13mm) wrench, attach the Stand Triangle to the Stand Post using (8) 1" FSHCS and (8) Serrated Flange Nuts. Orient the parts so that "point" of the triangle is on the opposite side of the Stand Post from the vertical tab, and so that nuts will be on the bottom of the Stand Post flange (See Figure 1).

The Flat Cap Screws attaching the Stand Triangle to the Stand Post will not sit completely flush with the top of the Stand Triangle and this is by design.

Step 4:

Using the 5/32" Hex Wrench and a 7/16" (11mm) wrench, attach the Bead Breaker Arm to the top hole in the tab as shown in Figure 1 using a 3/4" Shoulder Bolt and a Nylock Nut. There will be some play to this joint once tightened, and this is by design. Some narrow tires may require re-locating the Bead Breaker Arm to a lower hole in the tab, which can be a trial-and-error process with some tires.

Step 5:

Using the 5/32" Hex Wrench and a 7/16" (11mm) wrench, attach Bead Breaker "Tee" to the Bead Breaker Arm using a 3/4" Shoulder Bolt and Nylock Nut. Verify proper alignment of the tee so that the curve of the tee aligns with the curve on a wheel as shown in Figure 1. There will be some play to this joint once tightened, and this is by design.

Congratulations, your Stand Post assembly is complete! Keep all tools handy and proceed to assemble tire changer frame (Box F and C depending on model purchased).

NOTE: Never use the Mount/Demount Bar with the ground-level bead breaker arm. Only use the 1" OD Center Post from the tire changer.



Cycle Hill® HD Frame Box 'F' Assembly Instructions

Hardware Pack Contents:

a. (12) 1" Flat Cap Screw



b. (3) 1" Hex Bolt



c. (3) Flat Washer

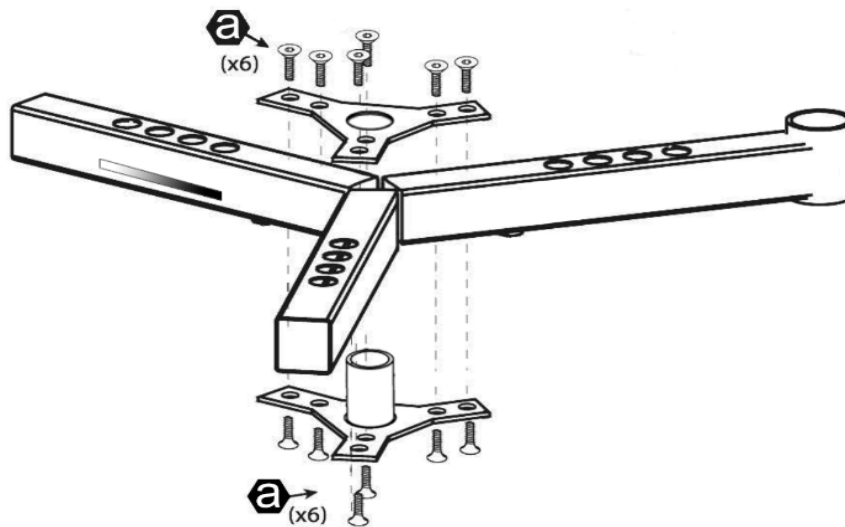


tep 1:

Remove all items from the box and remove any wrapping/strapping from components in the box.

Step 2:

Attach all 3 Frame Arms together using 2 "Y-plates" as shown. Using the 3/16" Hex Wrench from the stand box, install 6 Flat Cap Screws (a) on top and 6 screws (a) on bottom. The single threaded boss on each frame arm must face downward. Note the orientation of the left frame arm as indicated by the wheel size decal. Make sure threads of all screws are started before tightening. Tighten screws in an alternating pattern working from the inside to the outside.



Step 3:

Place the completed frame arm assembly on the triangle of the Stand Post or Hitch Mount and align the three holes in the triangle with the three threaded bosses on the frame arm. The rear frame arm should align with the rear "point" on the stand post triangle.

Step 4:

Install a Flat Washer (c) on each of the 3 Hex Bolts (b). Thread each Hex Bolt with Flat Washer through holes in the Stand Post or Hitch Mount triangle into the threaded boss on each frame arm by hand. Once all 3 Hex Bolts are started, tighten with a 3/4" (19mm) wrench.

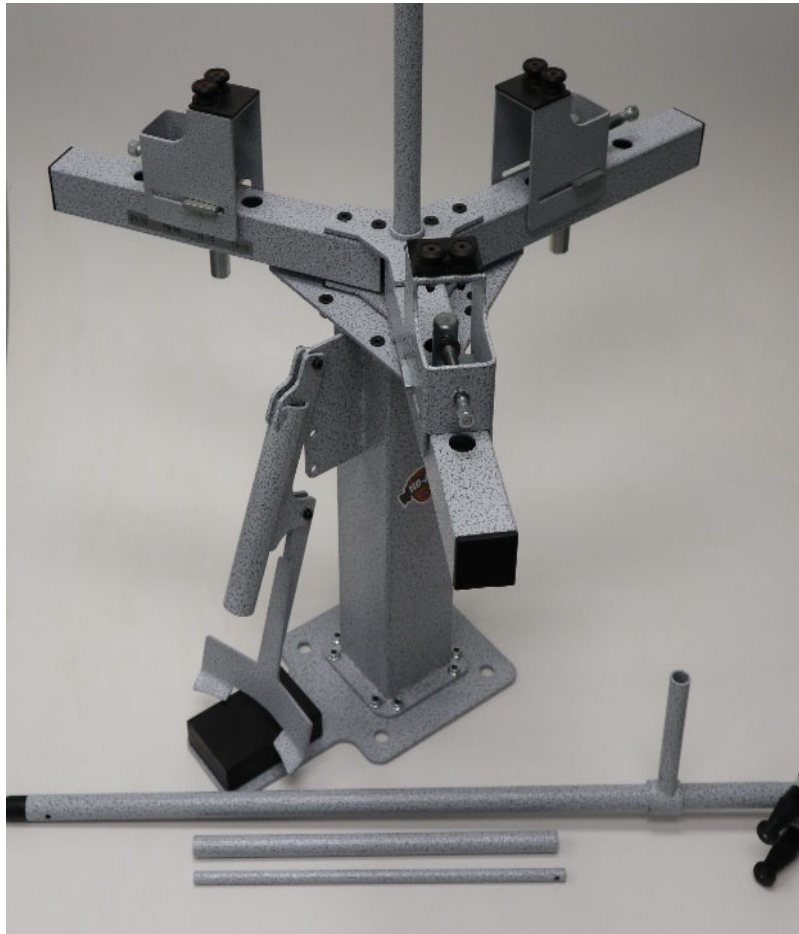
Step 5:

Install wheel clamps on to the frame arms per the instructions included inside of the Posi-Clamp® box.

Congratulations, your assembly is complete and your tire changer is almost ready to use! Once your tire changer is securely mounted to the floor or our Hitch Mount, you're ready to change tires! Ride safe!



Cycle Hill® HD Frame Box 'F' Assembly Instructions



Note regarding Center Post Selection: The three (3) included center posts are approximately 1/2" (13mm), 3/4" (20 mm), and 1" (26mm) wide. Use the largest center post you can fit through the bearing or opening in your wheel for maximum leverage when mounting and demounting tires.

Space Requirements

