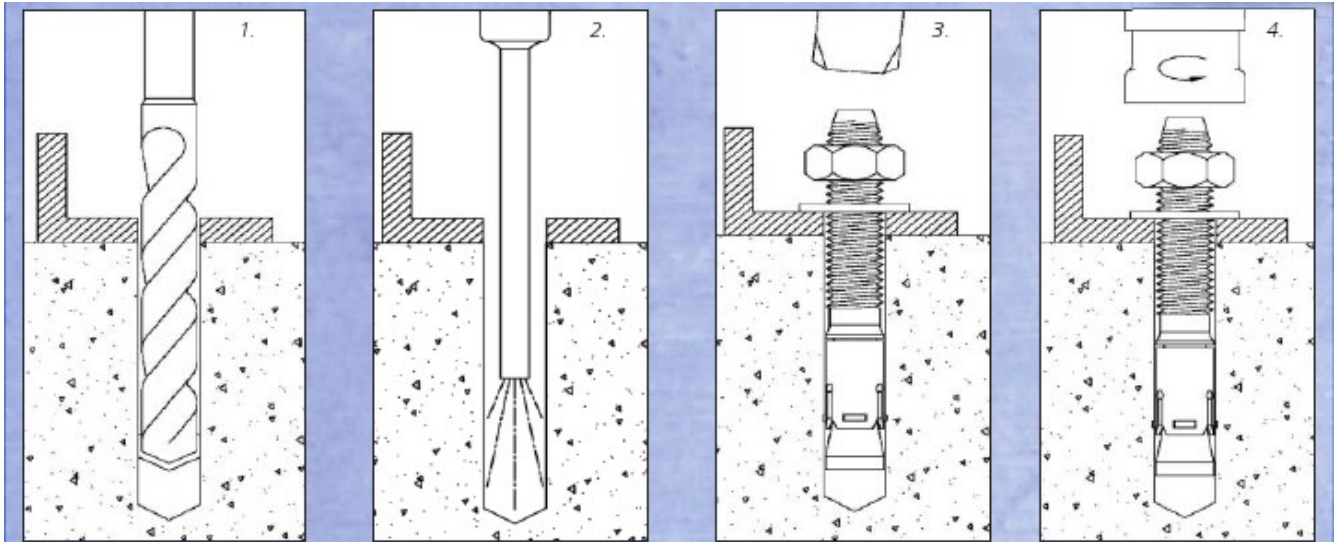


Installation Instructions for Power-Stud+ SD1 Concrete Floor Kit



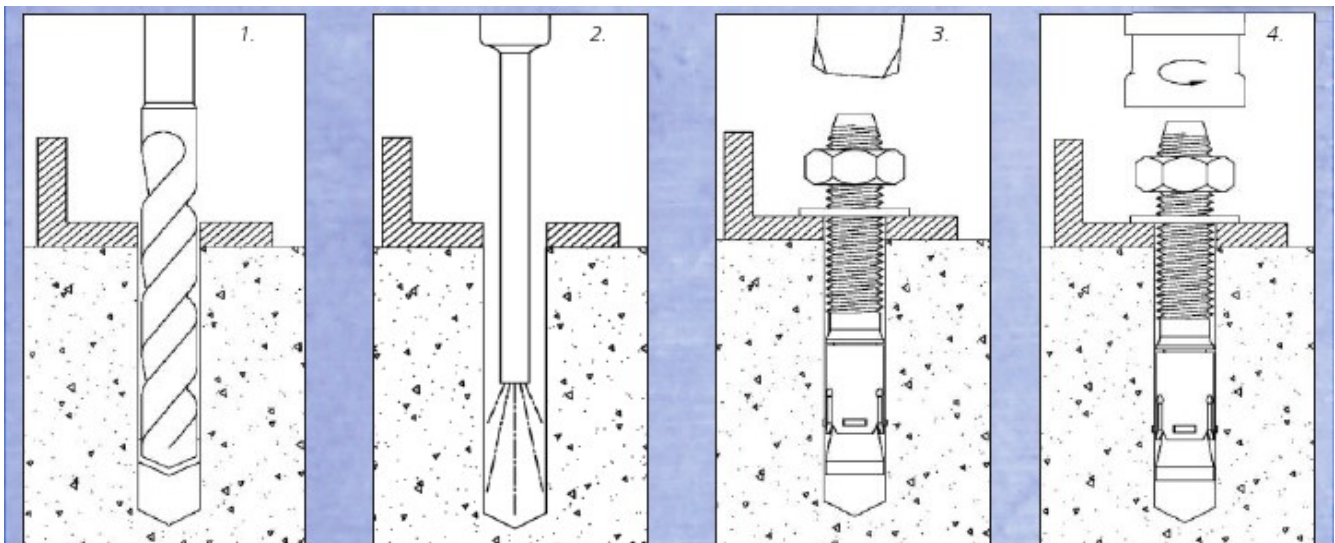
1.) Using the proper 1/2" drill bit, drill a hole into the base material to the minimal depth of 2-3/4"

2.) Remove dust and debris from the hole.

3.) Position the washer on the anchor and thread on the nut. If installing through a fixture, drive the anchor through the fixture into the hole. Be sure the anchor is driven to the minimum required 2-1/2" embedment depth.

4.) Tighten the anchor with a torque wrench to 40ft.-lbs

Installation Instructions for Power-Stud+ SD1 Concrete Floor Kit



1.) Using the proper 1/2" drill bit, drill a hole into the base material to the minimal depth of 2-3/4"

2.) Remove dust and debris from the hole.

3.) Position the washer on the anchor and thread on the nut. If installing through a fixture, drive the anchor through the fixture into the hole. Be sure the anchor is driven to the minimum required 2-1/2" embedment depth.

4.) Tighten the anchor with a torque wrench to 40ft.-lbs