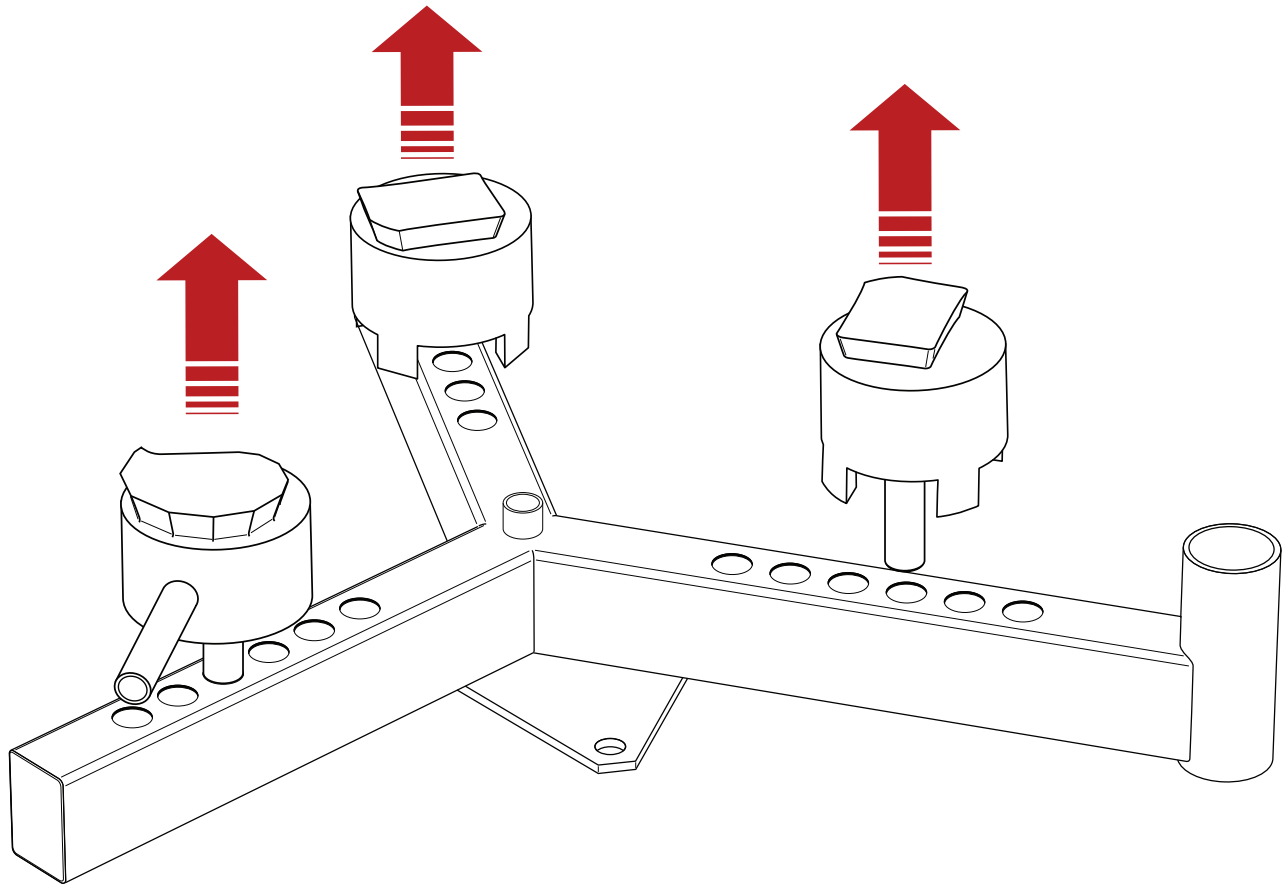


1



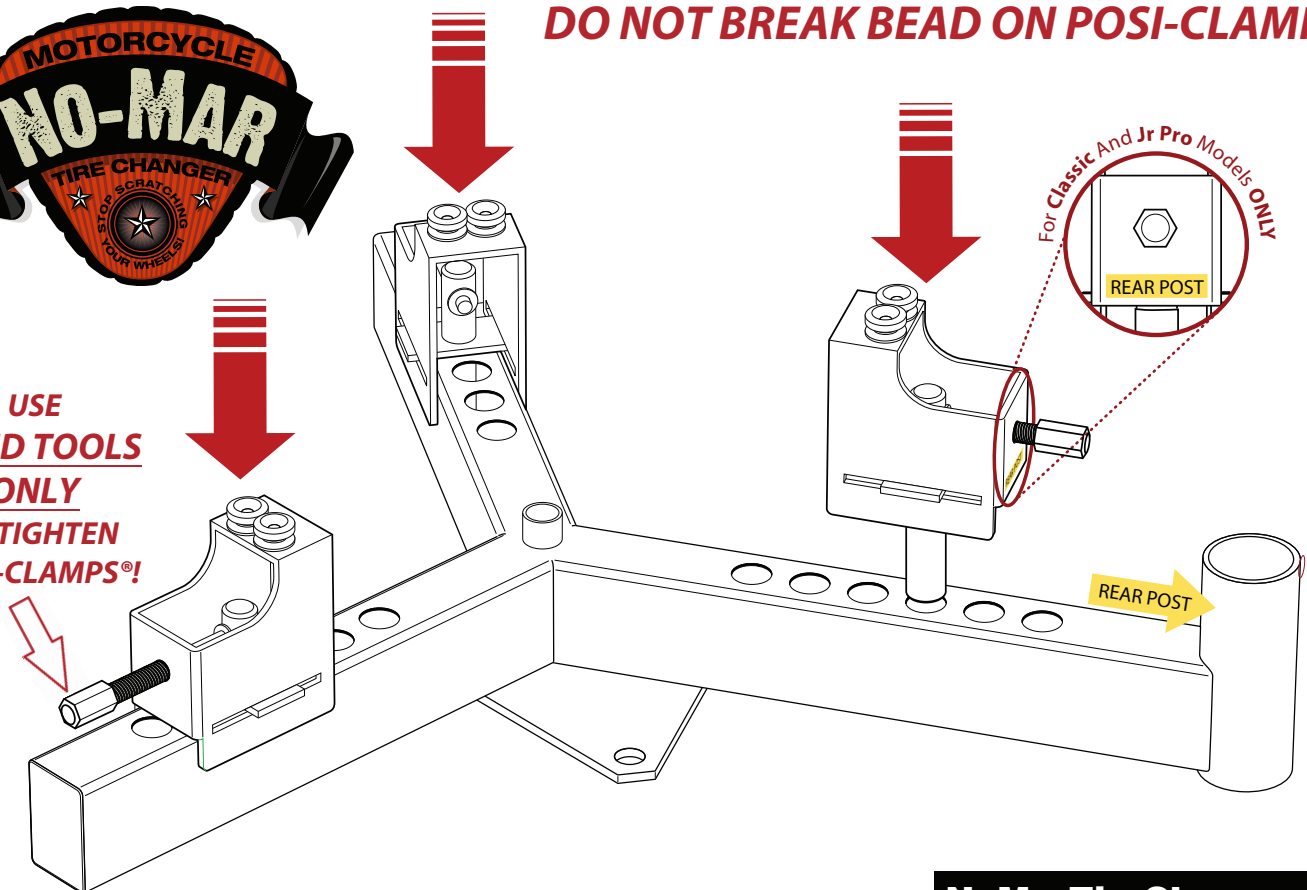
Remove Dog Blocks & Cam Block and replace with Posi-Clamps®. Note the rear post.

2



DO NOT BREAK BEAD ON POSI-CLAMPS®!

USE
HAND TOOLS
ONLY
TO TIGHTEN
POSI-CLAMPS®!



NoMarTireChanger.com