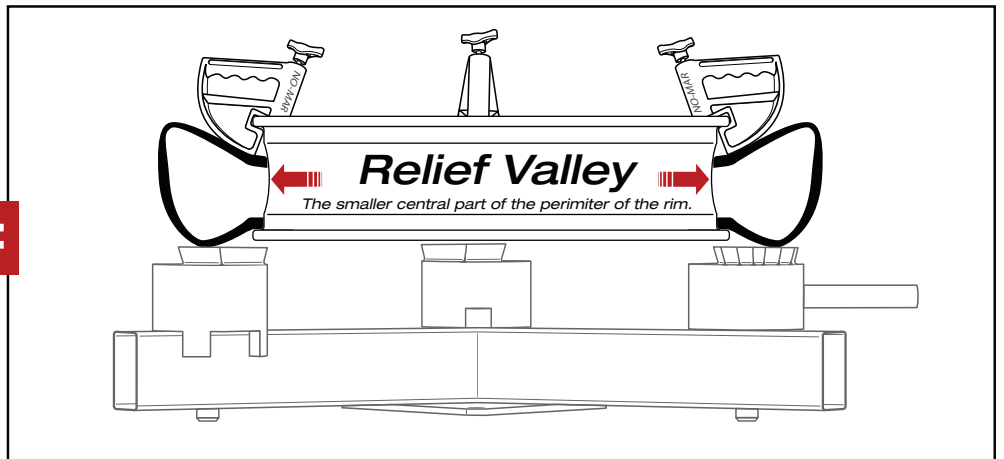
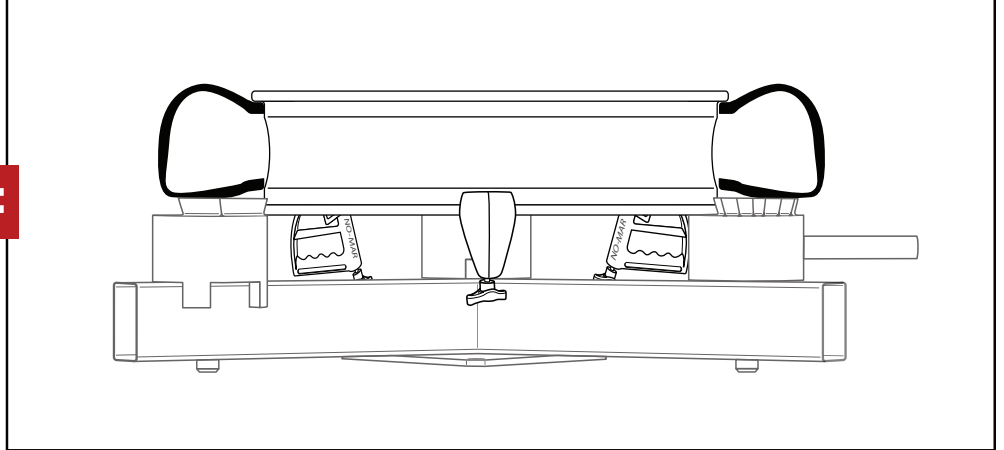
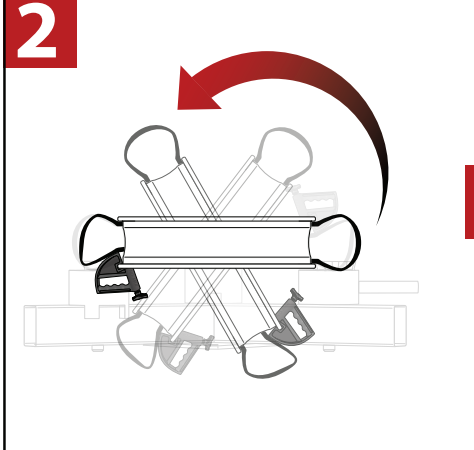


Wheel resting on top of blocks



Using No-Mar XtraHand Clamps to aid in locking a stiff sidewall tire



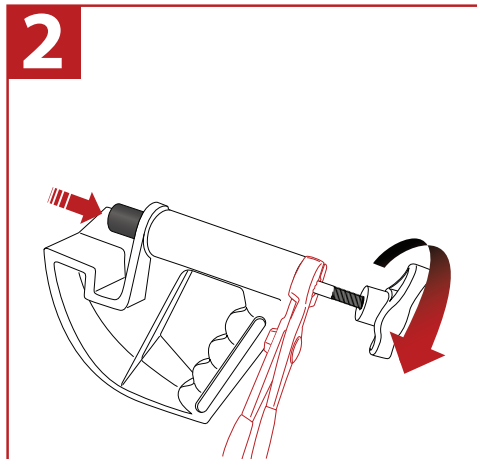
1

- 1 - Push the plunger in the body.
- 2 - Grip the smooth rod with pliers
- 3 - Unscrew the knob by rotating counterclockwise, when looking directly at the top of the knob
- 4 - Remove the blunger and spring

- Reverse steps for installation

REMOVE

INSTALL



XtraHand Clamp Body Replacement* **NoMarTireChanger.com**

3

- Insert the PLUNGER with SPRING into the NEW HANDLE,
- Attach knob and discard old handle body

KEEP!

DISCARD

KEEP!

NEW!

4

**Do Not Force!
Hand Tighten Only!**

* For warranty replacement only - failed part must be exchanged. See website for complete details.